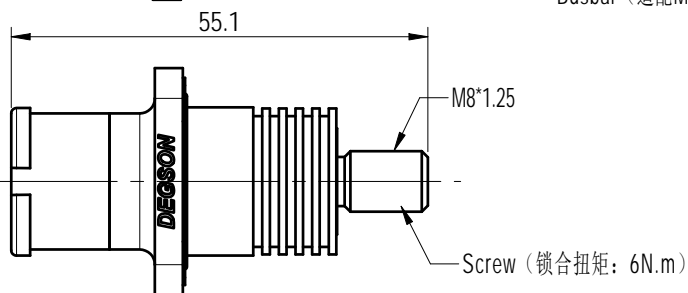
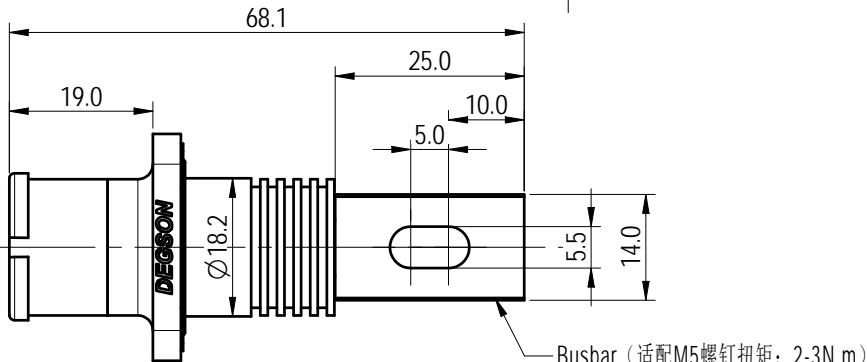
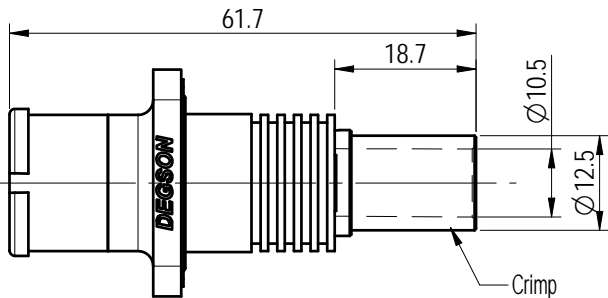


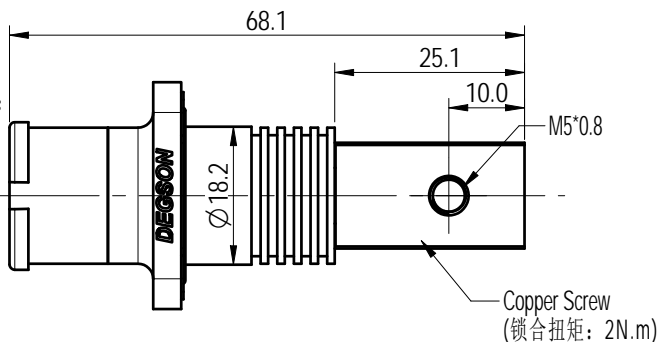
其他接线方式：形式一：



形式二：



形式三：

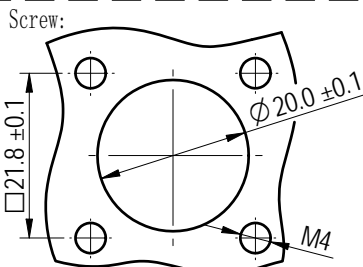
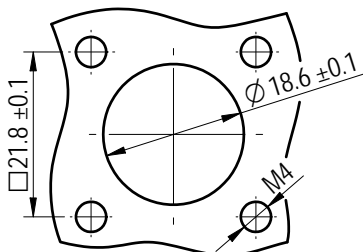


Dimensional tolerance(mm)					0.10/10
0 ~ 30	>30 ~ 60	>60 ~ 100	>100 ~ 150	>150	
±0.25	±0.35	±0.55	±0.80	±1.10	±Z

技术要求/Technical requirements:	
颜色/Color	Black, Orange, Red
锁紧方式/Locking method	卡扣(Buckle)
接线方式/Terminal	Busbar, Screw, Crimp, Copper Screw
外壳材料/Housing material	PA
接触件材料/Connector material	铜合金(Copper alloy)
插入力/Insertion force	100N Max
拔出力/Withdrawal force	>10N
插拔次数/Mechanical working life(mating cycles)	100
安装螺母紧固扭矩/Screw torque	M4/0.4° 0.7N.m
接线规格/Wiring specifications	1/0AWG or 50mm²
建议剥线长度/Suggested stripping length	13~14mm (Crimp type)
线径/Wire diameter	12.5~14mm (Crimp type)
额定电压/Rated voltage	1500V DC
额定电流/Rated current	200A
绝缘电阻/Insulate resistance	≥5000Ω (drying)
耐电压/Withstanding voltage	6800V/min
接触电阻/Contact resistance	≤0.5mΩ
过电压等级/Overvoltage category	III
污染等级/Pollution degree	3
防护等级/Ingress protection	IP67 (Mated)
使用温度范围/Operating temperature(°C)	-40~+125(including temperature rise)
盐雾/Salt spray	48H
储存温度/Storage temperature(°C)	-40~+85
阻燃等级/Flame retardant ability	UL94-V0
符合RoHS环保要求/Conform to RoHS	Yes
UL4128认证/UL4128 certification	E526028
TUV认证/TUV certification	50581738
满足户外使用/Satisfy outdoor use	Yes

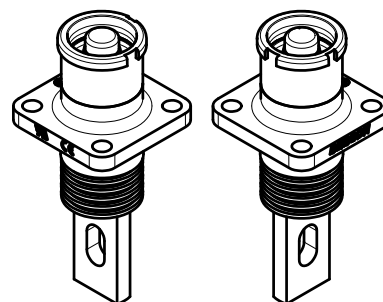


Busbar, Crimp, Copper Screw:



Recommended Panel Cut-Out

仅Busbar的形式3D展示:



ESS-200A-50-X-XX-XX

KEYWAY: 90:90° 正极  
18:180° 负极

COLOR: BK: BLACK 负极  
OR: ORANGE 正极  
RD: RED 正极

CONTACT TERMINATION: B: Busbar  
S: Screw  
C: Crimp  
B/S: Copper Screw

		MATERIAL:	SURFACE/COLOR:		
		MAT NO./REV:	MAT STATUS:		
APPD: 刘剑	2024.01.24	NAME			
CHKD: 于进海	2024.01.21	ESS-200A-50-X-XX-XX			
DRFT: 张晓璐	2024.01.17	DRAWING NO.	TYPE	DRAWING STATUS	SCALE
		200269867	CUSTOMER DRAWING		1:1
				SHEET	1/1

REV	ECN	DESCRIPTION	DRFT	DATE
01				

Transfer or duplication of this document as well as the utilization or communication of its contents are prohibited unless authorized in writing by DEGSON. All rights reserved for patent. 除特别声明外，本文件的所有权、复制、使用、分发等权利均保留。未经书面许可，不得复制或传播本文件内容。所有权利保留。 未经授权，不得复制或传播本文件内容。 未经授权，不得复制或传播本文件内容。