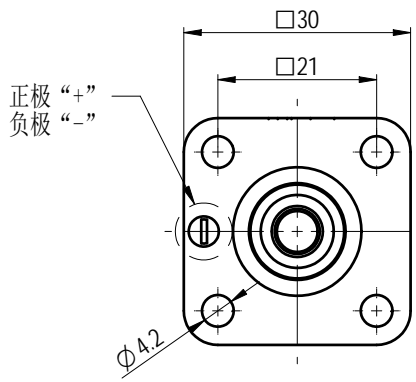
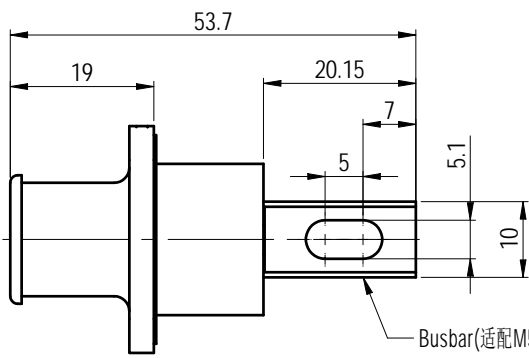


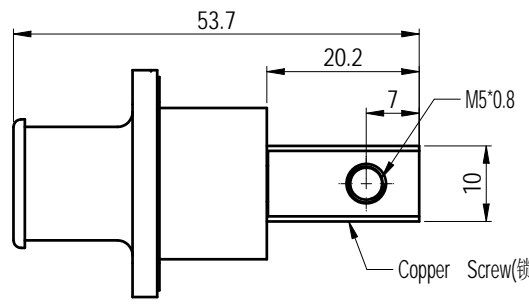
Dimensional tolerance(mm)					0.1/10 ±2'
0	>30	>60	>100	>150	
~30	~60	~100	~150		
±0.25	±0.35	±0.55	±0.80	±1.10	



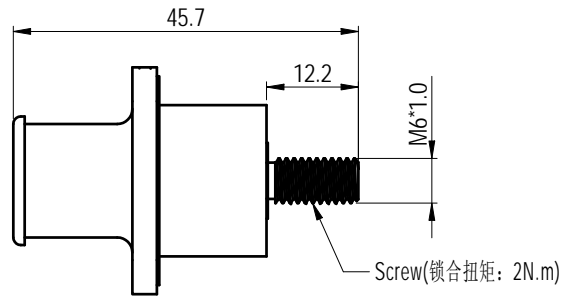
正极 “+”
负极 “-”



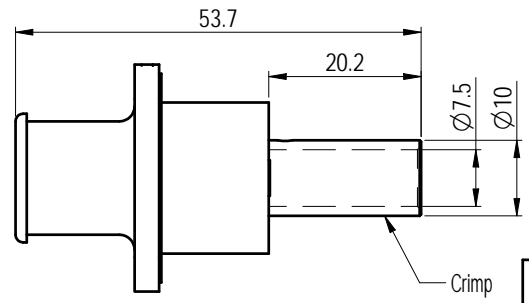
Busbar(适配M5螺钉扭矩: 2-3N.m)



其他接线方式: 形式一:



形式二:

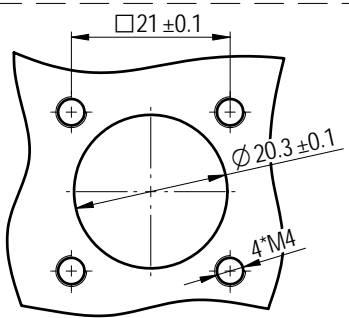


形式三:

ESS-120A-25-X-XX-00

Color: BK : Black 负极
OR : Orange 正极
RD : Red 正极

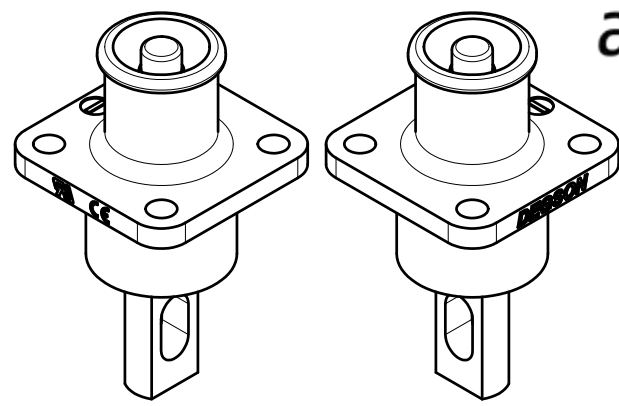
Contact Termination: B : Busbar
C : Crimp
S : Screw
B/S : Copper Screw



Recommended
Panel Cut-Out

技术要求/Technical requirements:	
颜色/Color	Black, Orange, Red
锁紧方式/Locking method	卡扣(Buckle)
接线方式/Terminal	Busbar, Screw, Crimp, Copper Screw
外壳材料/Housing material	PA+GF
接触件材料/Connector material	铜合金(Copper alloy)
插入力/Insertion force	60N Max
拔出力/Withdrawal force	>10N
插拔次数/Mechanical working life(mating cycles)	100
安装螺母紧固扭矩/Screw torque	M4/0.4°0.7N.m
接线规格/Wiring specifications	4AWG or 25mm ²
建议剥线长度/Suggested stripping length	13~14mm (Crimp type)
线径/Wire diameter	9~10.3mm(Crimp type)
额定电压/Rated voltage	1500V DC
额定电流/Rated current	120A
绝缘电阻/Insulate resistance	≥5000MΩ (drying)
耐电压/Withstanding voltage	6800V/min
接触电阻/Contact resistance	≤0.5mΩ
过电压等级/Overvoltage category	III
污染等级/Pollution degree	3
防护等级/Ingress protection	IP67 (Mated)
使用温度范围/Operating temperature(°C)	-40~+125(including temperature rise)
盐雾/Salt spray	48H
储存温度/Storage temperature(°C)	-40~+85
阻燃等级/Flame retardant ability	UL94-V0
符合RoHS环保要求/Conform to RoHS	Yes
UL4128认证/UL4128 certification	E526028
TUV认证/TUV certification	50581738

仅Busbar的形式3D展示:



DEGSON		MATERIAL:	SURFACE:
APPD: 刘剑 2024.01.24		MAT NO./REV: /	MAT STATUS:
CHKD: 于进海 2024.01.21		NAME	
DRFT: 张晓瑶 2024.01.17		ESS-120A-25-X-XX-00	
DRAWING NO.	TYPE	DRAWING STATUS	SCALE
200269797	CUSTOMER DRAWING		1:1
SHEET		1/1	

REV	ECN	DESCRIPTION	DRFT	DATE
01				

Transfer or duplication of this document as well as the utilization or communication of its contents are prohibited unless explicit authorization is granted. All rights reserved for patent, utility model or design registrations. 非经书面授权, 严禁禁止转让、复制、利用、交还本文件的内容, 一经发现, 侵权必究。本公司保留对涉及发明、实用新型和外观设计的所有权利。