

# GDA/GPA-A

5.2Ø x 20 mm

Time-Lag Fuse



## Agency Approvals

Agency	Ampere Rating
UL Listed	1A - 15A
CSA Certified	1A - 12A
CSA Acceptance	12.1A - 15A
PSE	5.1A - 15A (250V)
KTL	1.5A - 20A

## Interrupting Rating

1A - 15A:	10,000 amperes at 125V AC
1A:	35 amperes at 250V AC
1.1A - 3.5A:	100 amperes at 250V AC
3.6A - 10A:	200 amperes at 250V AC
10.1A - 15A:	750 amperes at 250V AC
15.1A - 20A:	200 amperes at 250V AC

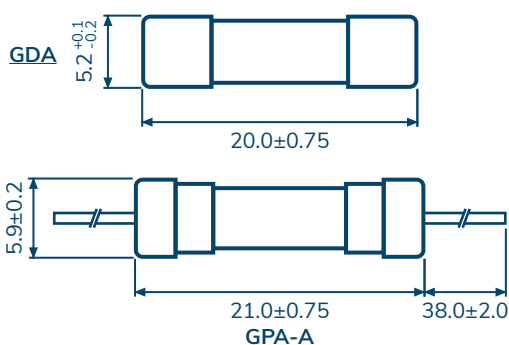
## Product Characteristics

<b>Operating Temperature</b>	-55 °C to 125 °C
<b>Material</b>	Body: Ceramic Caps: Nickel Plated Brass
<b>Leads Wire</b>	Ø0.8 mm 14A and less. Ø1.0 mm for rating above 15A to 19A. Ø1.2 mm for rating above 20A.

## Packaging

Packaging Option	Quantity
Bulk	GDA: 1,000 pcs / box GPA-A: 500 pcs / box
On Axial Tape & Reel	1,000 pcs / box

## Mechanical Dimensions (mm)



## Electrical Characteristics

Ampere Rating	Opening Time			
	1 In	1.35 In	2 In	
	MIN	MAX	MIN	MAX
1A - 20A	4 hr	1 hr	2 sec	120 sec

Catalog Number	Ampere Rating (A)	Voltage Rating (V)	Nominal Cold Resistance (Ohms)	Nominal Melting I <sup>2</sup> t (A <sup>2</sup> sec.)
GDA / GPA-A 001	1A	250V	0.1970	1.1520
GDA / GPA-A 1.25	1.25A		0.1285	2.3250
GDA / GPA-A 1.50	1.5A		0.0890	4.4384
GDA / GPA-A 1.60	1.6A		0.0852	5.2838
GDA / GPA-A 002	2A		0.0585	10.656
GDA / GPA-A 2.50	2.5A		0.0872	5.1183
GDA / GPA-A 003	3A		0.0615	9.8370
GDA / GPA-A 3.15	3.15A		0.0607	12.145
GDA / GPA-A 004	4A		0.0410	24.023
GDA / GPA-A 005	5A		0.0344	35.087
GDA / GPA-A 006	6A		0.0231	48.413
GDA / GPA-A 6.30	6.3A		0.0221	52.411
GDA / GPA-A 007	7A		0.0117	61.740
GDA / GPA-A 008	8A		0.0104	75.422
GDA / GPA-A 010	10A		0.0074	174.02
GDA / GPA-A 012	12A		0.0057	274.65
GDA / GPA-A 015	15A		0.0041	534.24
GDA / GPA-A 020	20A		0.0028	959.40

