

UDE/UDE-A

5.2Ø x 20 mm

Time-Lag Fuse



Agency Approvals

| Agency | Ampere Rating |
|--|---------------|
| Recognized Component for Canada and US | 500mA - 25A |
| TUV | 500mA - 25A |

Interrupting Rating

| | |
|----------------|--------------------------|
| 500mA - 25A: | 100 amperes at 500V AC |
| 500mA - 3.15A: | 1,500 amperes at 500V DC |
| 4A - 12A: | 500 amperes at 500V DC |
| 16A - 25A: | 400 amperes at 500V DC |

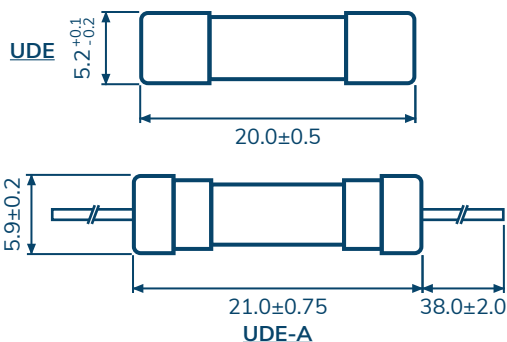
Product Characteristics

| | |
|-----------------------|--|
| Operating Temperature | -55 °C to 125 °C |
| Material | Body: Ceramic / Caps: Nickel Plated Brass |
| Leads Wire | Ø0.8 mm 12A and less. Ø1.0 mm for rating above 16A. |

Packaging

| Packaging Option | Quantity |
|----------------------|--|
| Bulk | UDE: 1,000 pcs / box UDE-A: 500 pcs / box |
| On Axial Tape & Reel | 1,000 pcs / box |

Mechanical Dimensions (mm)



Electrical Characteristics

| Ampere Rating | Opening Time | | | | | | | | | |
|---------------|--------------|--------|--------|--------|---------|-------|-------|--------|-------|-----|
| | 1.5 In | | 2.1 In | | 2.75 In | | 4 In | | 10 In | |
| | MIN | MAX | MIN | MAX | MIN | MAX | MIN | MAX | MIN | MAX |
| 500mA - 800mA | 60 min | 30 min | 250 ms | 80 sec | 50 ms | 5 sec | 5 ms | 150 ms | | |
| 1A - 3.15A | 60 min | 30 min | 750 ms | 80 sec | 95 ms | 5 sec | 10 ms | 150 ms | | |
| 4A - 6.3A | 60 min | 30 min | 750 ms | 80 sec | 150 ms | 5 sec | 10 ms | 150 ms | | |
| 8A - 25A | 30 min | 30 min | 750 ms | 80 sec | 150 ms | 5 sec | 10 ms | 150 ms | | |

| Catalog Number | Ampere Rating (A) | Voltage Rating (V) | Nominal Cold Resistance (Ohms) | Voltage Drop (mv) MAX | Nominal Melting I ² t (A ² sec.) |
|------------------|-------------------|--------------------|--------------------------------|-----------------------|--|
| UDE / UDE-A .500 | 500mA | 500V | 0.1795 | 850 | 0.9128 |
| UDE / UDE-A .630 | 630mA | | 0.1369 | 650 | 1.6324 |
| UDE / UDE-A .800 | 800mA | | 0.1029 | 500 | 2.7936 |
| UDE / UDE-A 001 | 1A | | 0.0710 | 350 | 4.2017 |
| UDE / UDE-A 1.25 | 1.25A | | 0.0551 | 300 | 8.3700 |
| UDE / UDE-A 1.60 | 1.6A | | 0.0690 | 200 | 9.1332 |
| UDE / UDE-A 002 | 2A | | 0.0521 | 190 | 9.8964 |
| UDE / UDE-A 2.50 | 2.5A | | 0.0411 | 180 | 20.053 |
| UDE / UDE-A 3.15 | 3.15A | | 0.0294 | 140 | 39.650 |
| UDE / UDE-A 004 | 4A | | 0.0193 | 100 | 78.739 |
| UDE / UDE-A 005 | 5A | | 0.0137 | 100 | 97.946 |
| UDE / UDE-A 6.30 | 6.3A | | 0.0113 | 100 | 117.15 |
| UDE / UDE-A 008 | 8A | | 0.0058 | 100 | 209.32 |
| UDE / UDE-A 010 | 10A | | 0.0050 | 100 | 382.68 |
| UDE / UDE-A 012 | 12A | | 0.0049 | 100 | 578.15 |
| UDE / UDE-A 016 | 16A | | 0.0033 | 100 | 1049.2 |
| UDE / UDE-A 020 | 20A | 0.0024 | 100 | 1733.0 | |
| UDE / UDE-A 025 | 25A | 0.0016 | 100 | 4127.1 | |