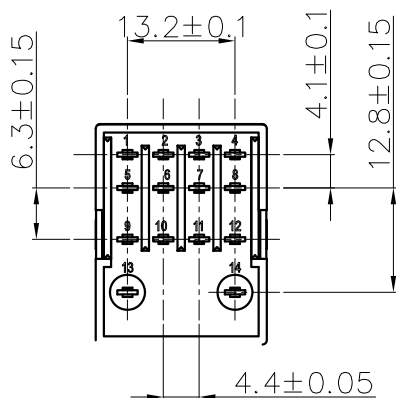
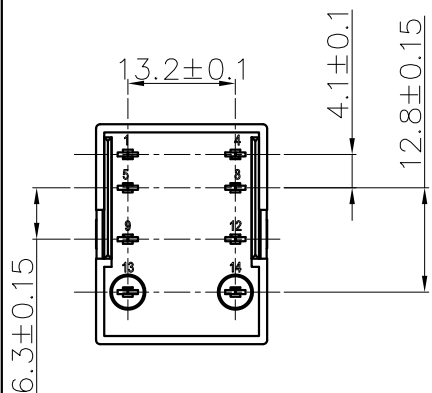
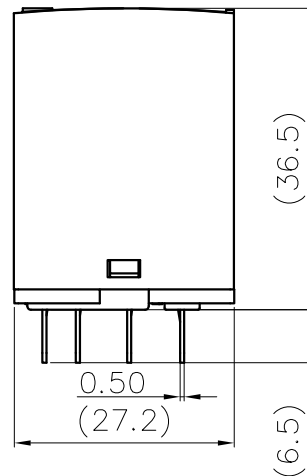
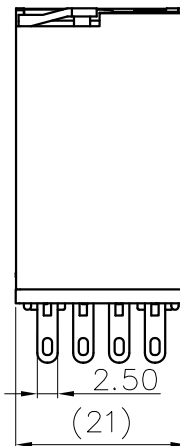
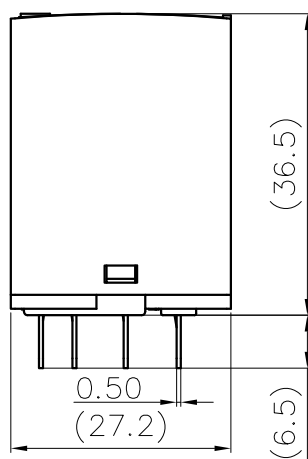
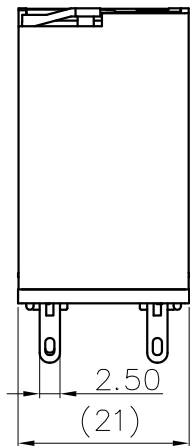
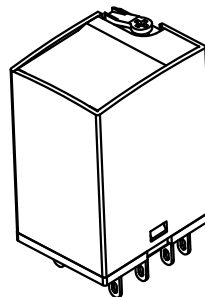
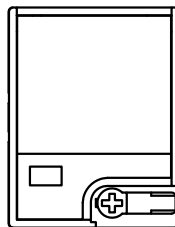
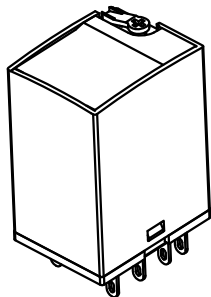
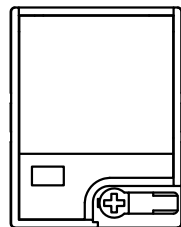


DRPE-2CH

DRPE-4C



尺寸公差(mm)					0.05/10 ±IT
0 ~ 30	>30 ~ 60	>60 ~ 100	>100 ~ 150	>150	
±0.20	±0.30	±0.50	±0.70	±1.00	

Load current	2CH:10A 4C:5A
Load voltage	240VAC/28VDC
Electrical life	≥100,000
Mechanical life	≥10,000,000
Contact resistance	≤50mΩ(24V,1A)
Operate voltage	AC(50Hz)<80% Ue; DC<75%Ue
Release voltage	AC(50Hz)>30% Ue; DC>10%Ue
Key controlled symbol	*
Operating temperature(°C)	-40°C ~ +70°C

Dielectric strengths	Between contacts:1000VAC,1Min (1mA)
	Between contacts of different poles:1500VAC,1Min (1mA)
Coil operating power	DC: 0.93W/AC: 1.2VA
	110%(Ue)

Conform to RoHS

Mark the height of the company LOGO

Mark the height of the "CE"

Printing for laser marking,printing content is clear ,no broken line,ect

Seal literal reference according to the foot position in the drawing

The words in the dotted box correspond to the list below



MATERIAL: /	SURFACE: /	
MAT.NO.: /	宁波高松电子有限公司 NINGBO DEGSON ELECTRICAL CO., LTD	
STATUS: /		
APPD:	Description: DRPE-XX-XX-XX-07A(H)	
CHKD:	DRAWING NO.:	REV TO
DRFT: /	TYPE: PRODUCT DRAWING	SCALE: 1:1 SHEET 1/1

REV	ECN	DESCRIPTION	DRFT	DATE
-----	-----	-------------	------	------

Transfer or duplication of this document as well as the utilization or communication of its contents are prohibited unless explicit authorization is granted. Violations will be liable for compensation. All rights reserved for patent, utility, model or designs registrations. 除非给予明确授权，否则禁止转让、复制、利用、发布本文件的内容。侵犯者将承担法律责任。 实用新型专利及发明、实用新型专利及发明、实用新型专利及发明。