

No. Pin	Dim. A	Dim. B	Dim. C
8	11.43	9.83	3.81
10	12.70	11.10	5.08
12	13.97	12.37	6.35
14	15.24	13.64	7.62
16	16.51	14.91	8.89
20	19.05	17.45	11.43
24	21.59	19.99	13.97
26	22.86	21.26	15.24
30	25.40	23.80	17.78
34	27.94	26.34	20.32
40	31.75	30.15	24.13
44	34.29	32.69	26.67
50	38.10	36.50	30.48
60	44.45	42.85	36.83
68	49.53	47.93	41.91

Specifications:

Current Rating: 1.0A AC/DC
 Voltage Rating: 50V AC/DC
 Contact Resistance: 20m ohm .Max
 Insulation Resistance: 1,000M ohm. min.
 Withstanding Voltage: 500V AC
 Operating Temperature Range: -40°C ~ +105°C

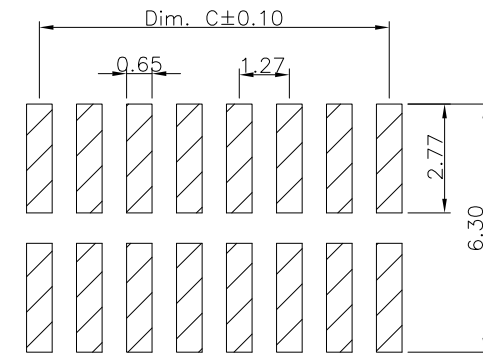
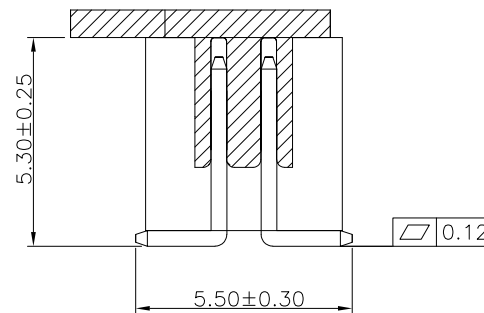
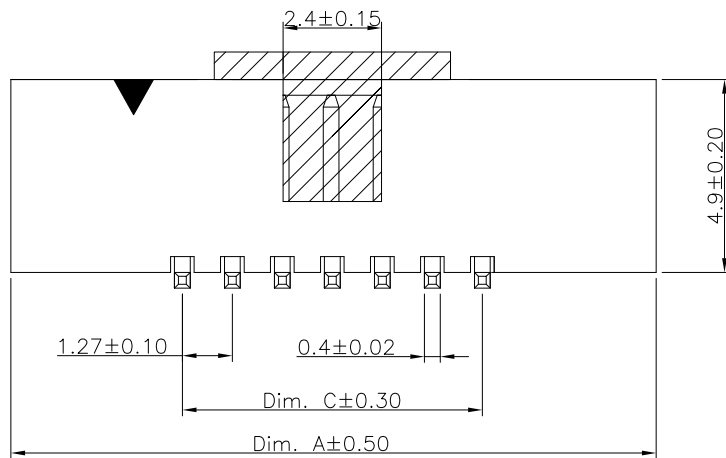
Material and Finish

Insulator: High Temp. Plastic (LCP UL94V-0)
 Insulator Color: Black
 Terminal: Brass
 Plating: Gold Plated Over Nickel.

How To Order

2195SM-XXX-CR

- Cap+Reel
- G: Gold Plated
- T: Tin Plated
- SG: Selective Gold Plated
- No. Of Contacts
- SMD Type



P.C.B Layout

RoHS Compliant

F			
E			
D			
C			
B			
A	19-Dec-2018	Jack Huang	Jack Huang
REV	DATE	FILE	BY

DRAWN: Jack Huang
 CHECKED: Jerry Chen
 APPROVAL: Mike Wu

GENERAL TOLERANCE:
 .X = ± 0.20
 .XX = ± 0.15
 UNIT: MM
 SCALE: 1:1
 SHEET: 1 / 1
 PROJECTION:



Neltron Industrial Co., Ltd.

DESCRIPTION:
 1.27 Pitch Box Header SMT Type

PART NO:
 2195SM-XXX-CR

SIZE
A4