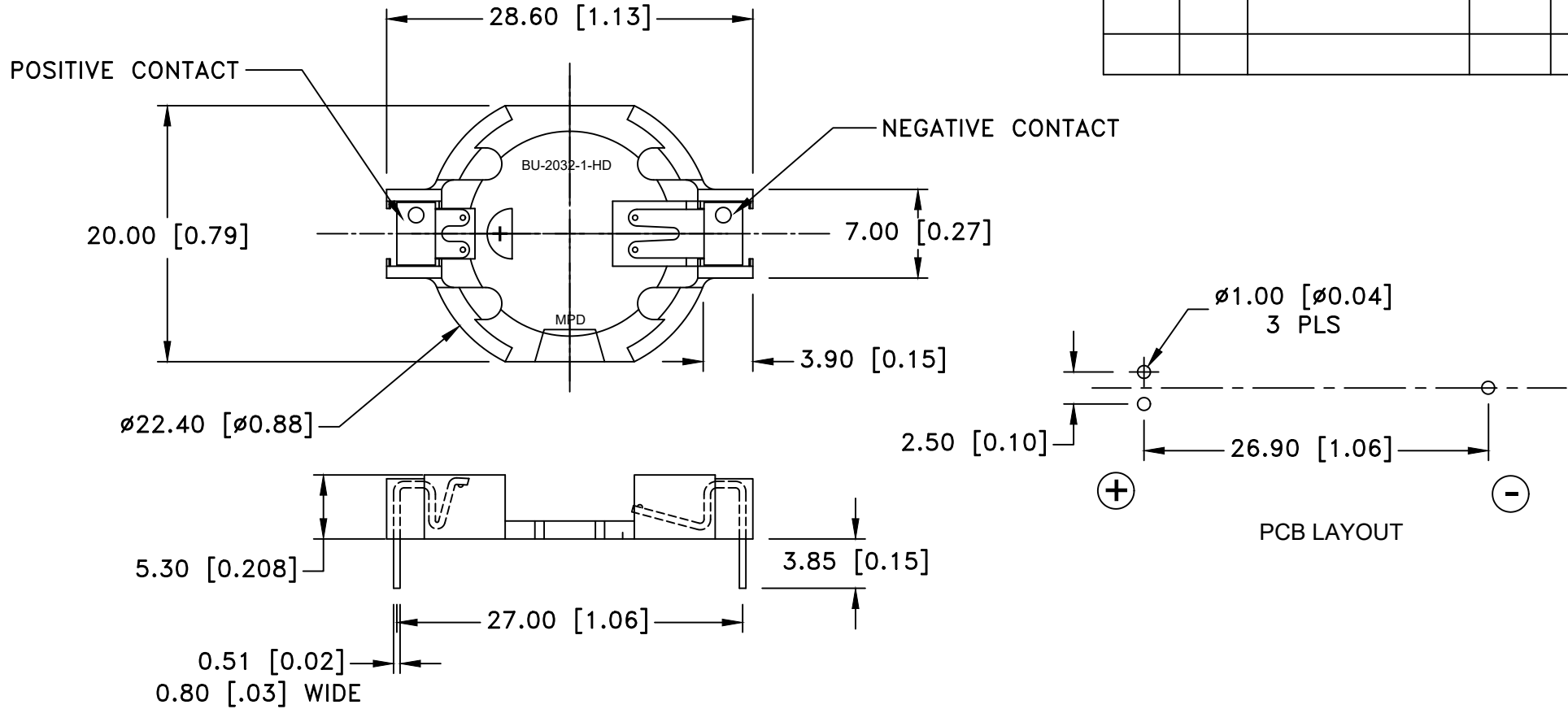





Date	SYM	REVISION RECORD	AUTH	DR.	CK.
10/18/19	J	Added weight of the part	T.B.	B.S.	



SPECIFICATIONS:

- * Holder material- Black, Nylon 66, UL File No. E44716, UL94V-0
- * Contacts : 0.020" thick PHOS-BRONZE, GOLD FLASH
- * Temperature range: -40°C to +280°C
- * Vibration Test: 10-50-10 Hz swept in 60 seconds
X,Y,Z direction: 1 hour each direction
- * Result: No dislodgement of the cell or damage
No discontinuity over 10 micro-seconds
- * Shock Test: Half sine wave acceleration 150G. 6 ms
3 shock pulses each direction per axis, total of 18 pulses
- * Result: No evidence of physical damage
- * ROHS COMPLIANT

Estimated Weight: 1.0 g

Tolerance (Except as noted)	 Memory Protection Devices, Inc 200 Broad Hollow Road, Farmingdale, New York 11735		
decimal $\pm .5$ (.020)	Scale	Drawn By B.S.	
		Approved By T.B.	
Fractional $\pm .8$ (.030)	Title	HIGH GRIP BATTERY HOLDER FOR CR2032 WITH PC PINS	
Angular $\pm 3^\circ$	Date	Drawing Number	
	10/18/19	BU2032-1-HD-G	