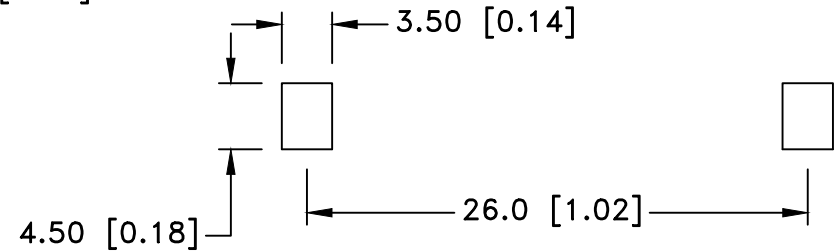
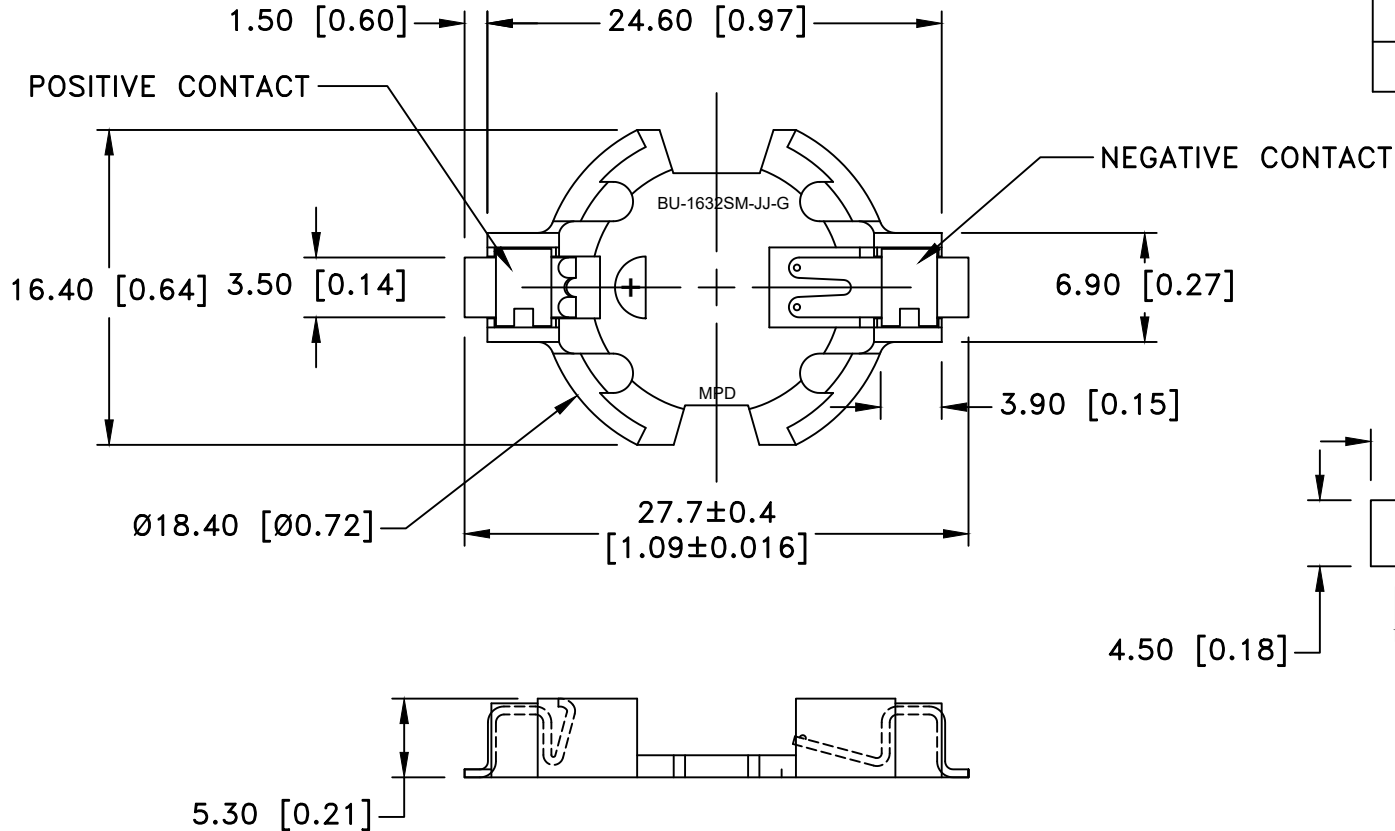




| Date     | SYM | REVISION RECORD          | AUTH | DR.  | CK. |
|----------|-----|--------------------------|------|------|-----|
| 01/27/17 | C   | Updated UL File number   | T.B. | B.S. |     |
| 11/07/19 | D   | Added weight of the part | T.B. | B.S. |     |
|          |     |                          |      |      |     |
|          |     |                          |      |      |     |
|          |     |                          |      |      |     |




PCB LAYOUT

**SPECIFICATIONS:**

- \* Holder material- Zenite 30% glass reinforced Liquid Crystal Polymer resin, UL File No. E344082, UL94V-0
- \* Color: Off White
- \* Contacts : 0.020" thick PHOS-BRONZE, GOLD FLASH
- \* Temperature range: -40°C to +280°C
- \* Vibration Test: 10-50-10 Hz swept in 60 seconds  
X,Y,Z direction: 1 hour each direction
- \* Result: No dislodgement of the cell or damage  
No discontinuity over 10 micro-seconds
- \* Shock Test: Half sine wave acceleration 150G. 6 milli-seconds  
3 shock pulses each direction per axis, total of 18 pulses
- \* Result: No evidence of physical damage
- \* Approximate weight: 0.92g
- \* ROHS COMPLIANT

Estimated Weight: 0.86002 g

|                                |   |                                   |                                   |
|--------------------------------|---|-----------------------------------|-----------------------------------|
| Tolerance<br>(Except as noted) |  <b>Memory Protection Devices, Inc</b><br>200 Broad Hollow Road, Farmingdale, New York 11735 |                                   |                                   |
|                                | decimal<br>±.5 (.020)   | Scale                             | Drawn By B.S.<br>Approved By T.B. |
| Fractional<br>± .8 (.030)      | Title<br>SURFACE MOUNT BATTERY HOLDER FOR CR1632  |                                   |                                   |
| Angular<br>± 3°                | Date<br>11/07/19  | Drawing Number<br>BU1632SM-JJ-GTR |                                   |