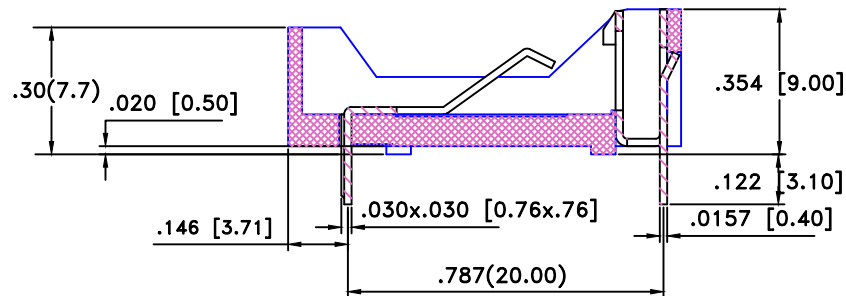
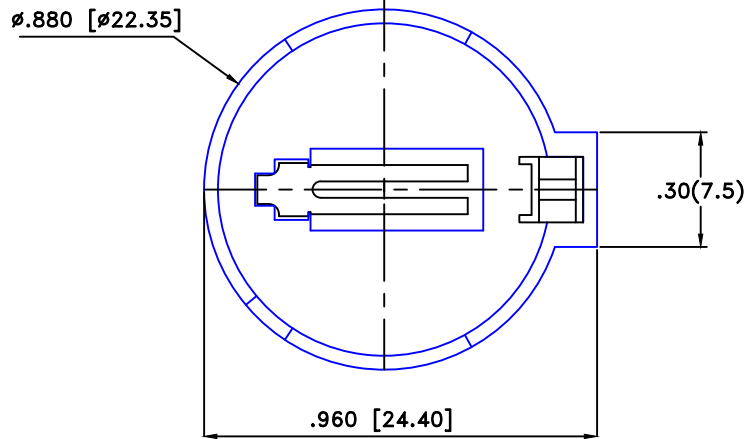


PCB LAYOUT

Estimated Weight: 1.488994 g

Date	SYM	REVISION RECORD	AUTH	DR.	CK.
08/11/23	K	Updated specifications	D.L.	B.S.	
08/21/24	L	Updated UL file no.	D.L.	B.S.	
10/31/24	M	Dim. 0.030x.030 was 0.025x0.026	D.L.	B.S.	



NOTES:

MATERIAL:

BODY: PBT 30% GLASS FILLED, UL 94V-0, UL FILE NO. E45587
CONTACT: PHOSPHOR BRONZE

FINISH:

CONTACT: NICKEL PLATED OVERALL

SPECIFICATIONS:

APPLICATION FOR 3V LITHIUM BATTERY, CR2032 OR BR2032
INSULATOR RESISTANCE: 5000 mΩ Min.
OPERATION TEMPERATURE: -55°C TO +105°C
DURABILITY: 50 CYCLES MIN.
CONTACT RESISTANCE: 30mΩ MAX.

VIBRATION TEST: 10-55 HZ SWEEPED IN 60 SECONDS

X,Y,Z DIRECTION: 1 HOUR EACH DIRECTION

RESULTS: NO DISLODGE MENT OF THE CELL OR DAMAGE

NO DISCONTINUITY OVER 10 MICRO-SECONDS

SHOCK TEST: HALF SINE WAVE ACCELERATION 80g.

6 ms 3 SHOCK PULSES EACH DIRECTION PER AXIS

RESULTS: NO EVIDENCE OF PHYSICAL DAMAGE NO DISLODGE MENT OF ANY CELLS


DROP TEST: MOUNTED ON BOARD AND DROPPED 1 TIME PER

DIRECTION FROM 1m HIGH TO WOODEN FLOOR

RESULTS: NO DISLODGE MENT OF THE CELL, NO DAMAGE TO THE HOLDERS

APPROXIMATE WEIGHT: 2.39g

ROHS COMPLIANT

Tolerance (Except as noted)	 Memory protection Devices, Inc 200 Broad Hollow Road, Farmingdale, New York 11735		
decimal ±.5 (.020)		Scale 4=1	Drawn By T.S. Approved By D.L.
Fractional ± .8 (.030)	Title CR2032 BATTERY HOLDER WITH EASY RELEASE CLIP		
Angular ± 3°	Date 10/31/24	Drawing Number BS-7	

