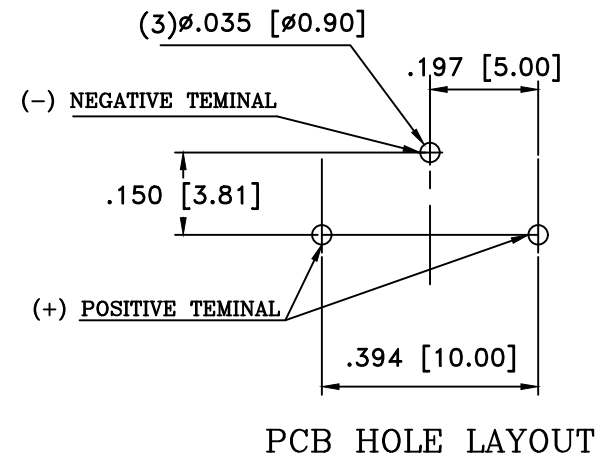
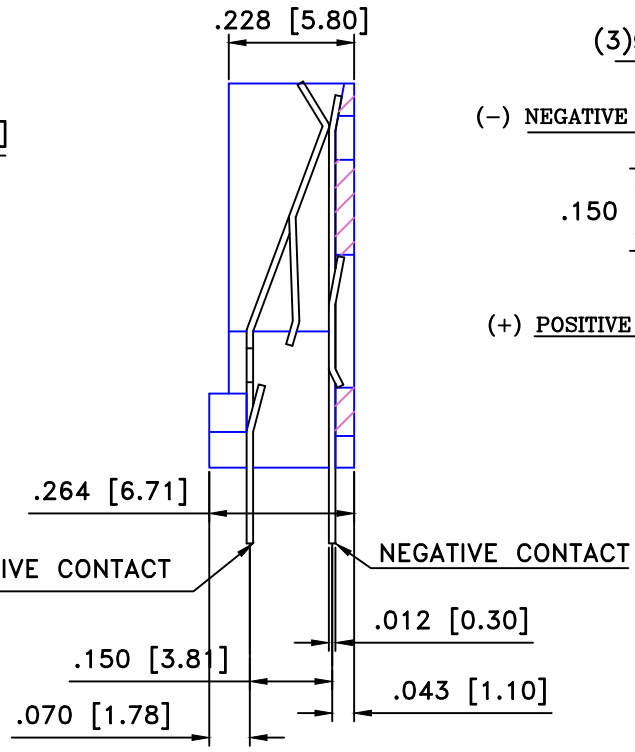
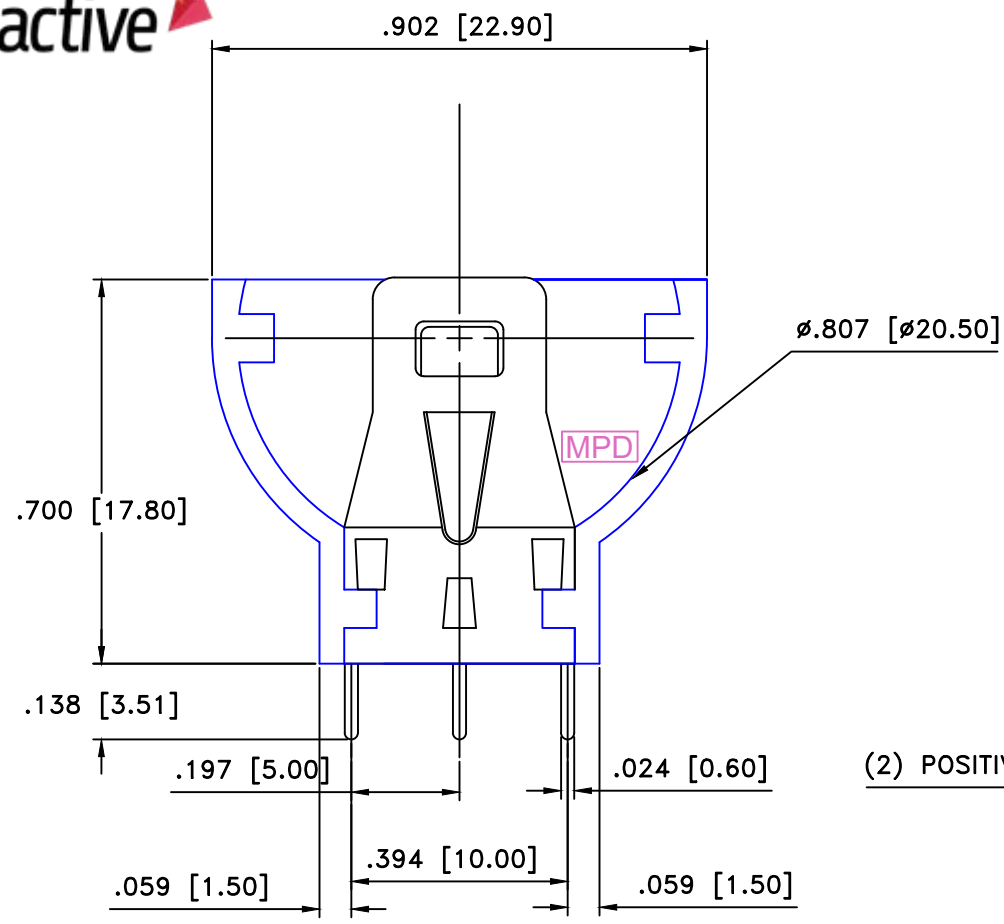





Date	SYM	REVISION RECORD	AUTH	DR.	CK.
08/07/19	J	UPDATED SPECIFICATIONS	T.B.	B.S	
10/18/19	K	ADDED WEIGHT OF THE PART	T.B.	B.S	
12/12/19	L	UPDATED UL FILE NO.	T.B.	B.S	



**MATERIAL**  
 BODY: NYLON 66 WITH 30% GLASS FILLED, UL FILE NO. E245249  
 FLAMMABILITY RATING: UL94V-0  
 CONTACT: PHOSPHOR BRONZE  
 APPROXIMATE WEIGHT: 1.47g  
**FINISH**  
 CONTACT: NICKEL PLATED

**SPECIFICATIONS**  
 APPLICATION FOR 3V LITHIUM BATTERY  
 INSULATOR RESISTANCE: 5000 m $\Omega$  MIN.  
 OPERATION TEMPERATURE: -40°C TO +200°C  
 DURABILITY: 50 CYCLES MIN  
 CONTACT RESISTANCE: 30 m $\Omega$  MAX  
 ROHS COMPLIANT

Estimated Weight: 1.7 g

Tolerance (Except as noted)	 <b>Memory protection Devices, Inc</b> 200 Broad Hollow Road, Farmingdale, New York 11735		
		decimal $\pm .5$ (.020)	Scale 4=1
Fractional $\pm .8$ (.030)	Title BR/CR 2032 VERTICAL LITHIUM BATTERY HOLDER		
Angular $\pm 3^\circ$	Date 12/12/19	Drawing Number BS-5	