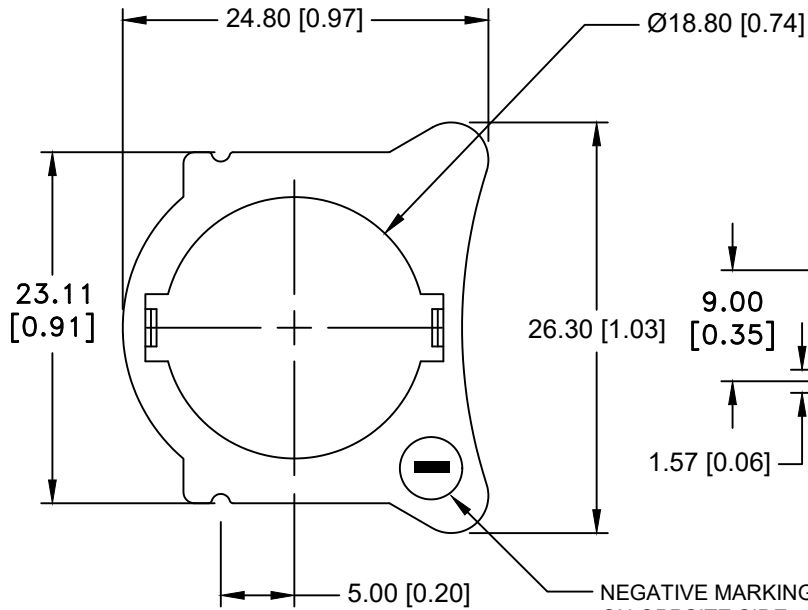
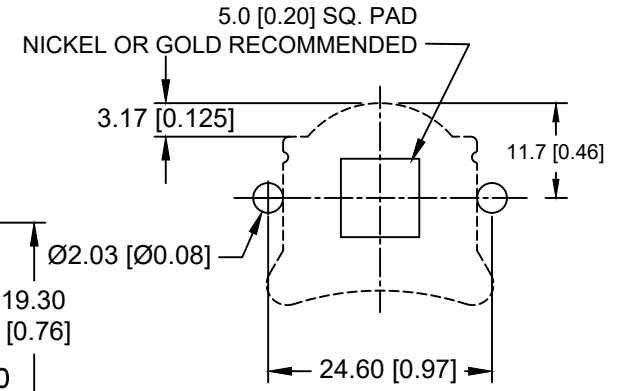
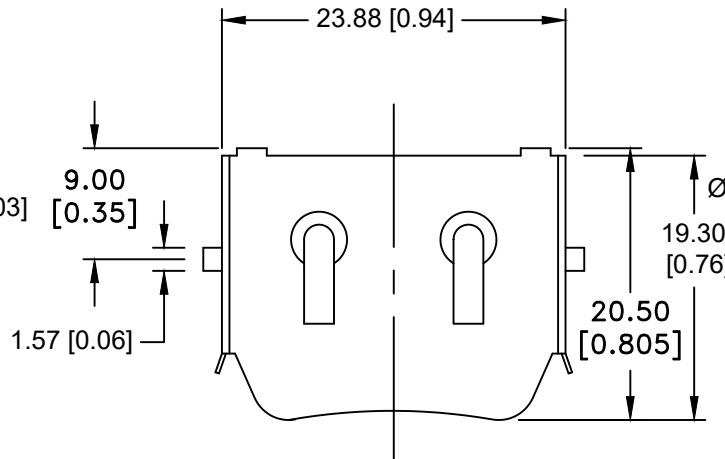
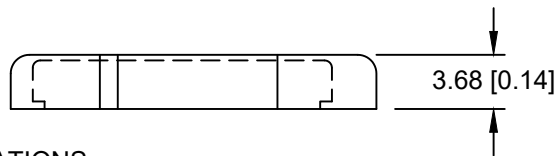




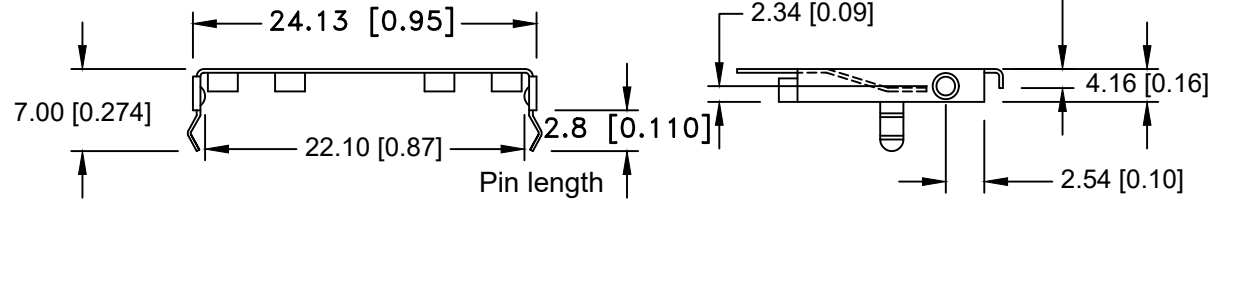
Date	SYM	REVISION RECORD	AUTH	DR.	CK.
06/08/20	L	Updated Shape of the part	T.B.	B.S.	
07/01/22	M	Dim. 6.96 was 6.35 Dim. 23.88 was 23.87	T.B.	B.S.	
05/08/25	N	Dim. 20.50 was 20.55 Added Dim. 24.13, 2.8	D.L.	B.S.	



INSULATOR



PCB LAYOUT



SPECIFICATIONS:

- * Holder material- Polypropylene, AV161 PP, Off White
- * UL Flammability Rating: UL 94-HB File No. E108370
- * Contacts : Phosphor Bronze C5191, Nickel Plated 80-150u thickness
- * Vibration test: 10-50-10 hz swept in 60 seconds
x,y,z direction: 1 hour each direction
- * Result: no dislodgement of the cell or damage
no discontinuity over 10 milliseconds
- * Shock test: half sine wave acceleration 150g.
6 milliseconds 3 shock pulses each direction per axis,
total of 18 pulses
- * Result: no evidence of physical damage
- * ROHS COMPLIANT

Estimated Weight: 1.645024 g Operational temperature is -40c to +100c

Tolerance (Except as noted)	Memory Protection Devices, Inc 200 Broad Hollow Road, Farmingdale, New York 11735		
	decimal ±.5 (.020)	Scale	Drawn By B.S. Approved By T.B.
Fractional ± .8 (.030)	Title CR2032 PC PINS BATTERY RETAINER WITH INSULATOR		
Angular ± 3°	Date 05/08/25	Drawing Number BHX1-2032-PC	