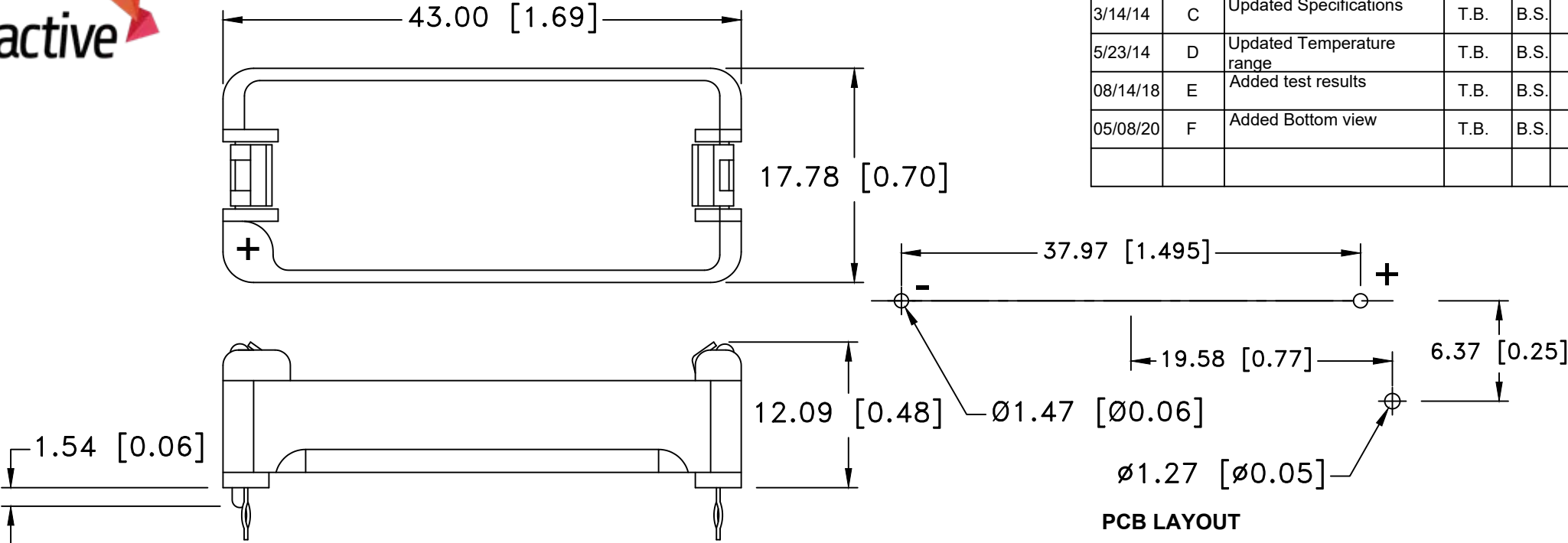
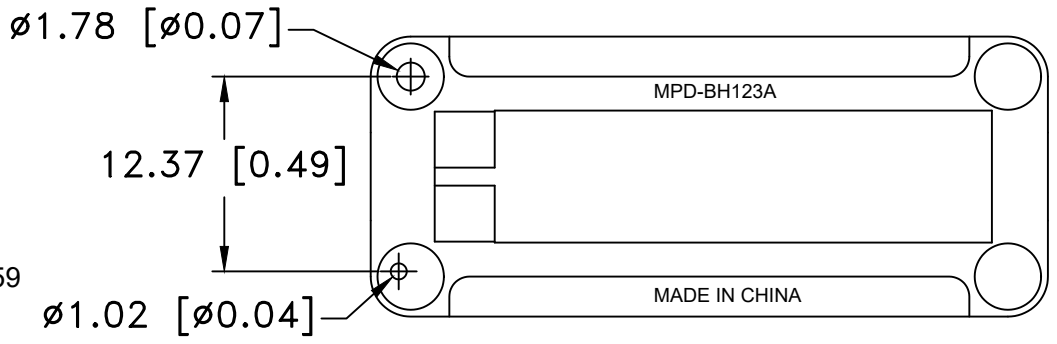




Date	SYM	REVISION RECORD	AUTH	DR.	CK.
3/14/14	C	Updated Specifications	T.B.	B.S.	
5/23/14	D	Updated Temperature range	T.B.	B.S.	
08/14/18	E	Added test results	T.B.	B.S.	
05/08/20	F	Added Bottom view	T.B.	B.S.	



PCB LAYOUT



BOTTOM VIEW

WEIGHT: 2.75g Approx.

NOTES:

MATERIAL:

HOUSING: POLYPROPYLENE -1040, COLOR: BLACK
 FLAMMABILITY RATING -UL94 HB, UL FILE NO. E216959
 TEMPERATURE RANGE: -40°C to +130°C
 CONTACTS: STAINLESS STEEL 301, NICKEL PLATED
 CONTACT RESISTANCE: UNDER 50mΩ FOR +/- CONTACTS PER EIA-540J000

ROHS COMPLIANT

VIBRATION TEST: 10-50-10HZ SWEEPED IN 60 SECONDS
 X,Y,Z DIRECTION: 1 HOUR EACH DIRECTION
 RESULT: NO DISLODGE MENT OF THE CELL OR DAMAGE
 NO DISCONTINUITY OVER 10 MICRO-SECONDS
 SHOCK TEST: HALF SINE WAVE ACCELERATION 150G.
 6 ms 1 SHOCK PULSES EACH DIRECTION PER AXIS
 RESULT: NO EVIDENCE OF PHYSICAL DAMAGE
 DROP TEST: MOUNTED ON BOARD AND DROPPED 1 TIME PER
 DIRECTION FROM 1m HIGH TO WOODEN FLOOR
 RESULT: NO DISLODGE MENT OF THE CELL, NO DAMAGE TO THE HOLDERS

Tolerance (Except as noted)	Memory Protection Devices, Inc 200 Broad Hollow Road, Farmingdale, New York 11735		
decimal ±.5 (.020)	Scale	Drawn By B.S. Approved By T.B.	
Fractional ± .8 (.030)	Title ONE 123A CELL HOLDER		
Angular ± 3°	Date 05/08/20	Drawing Number BH123A	