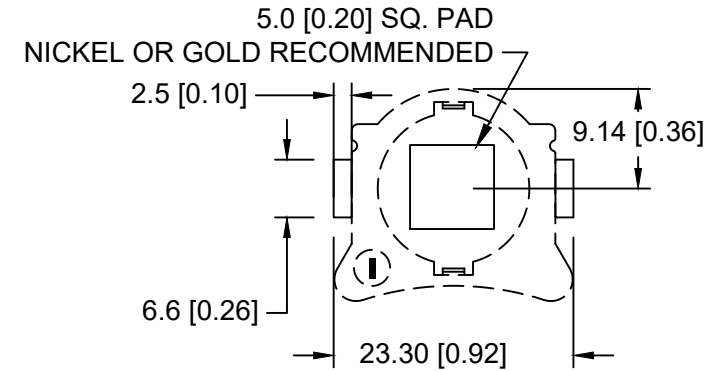
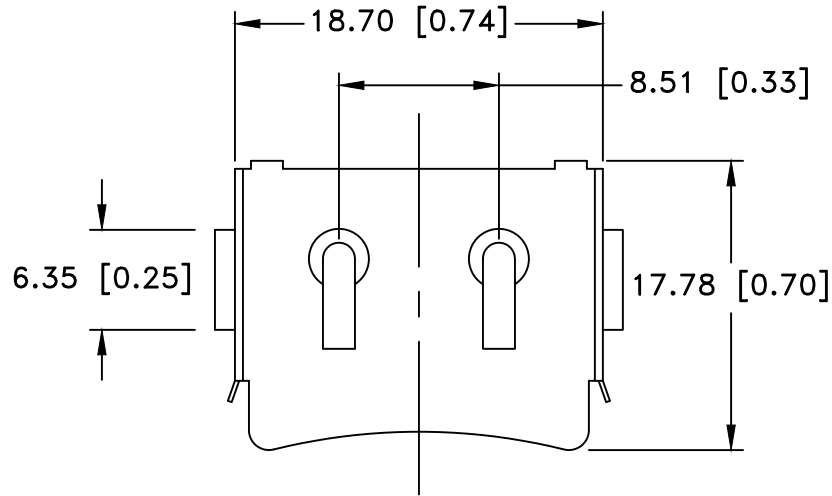
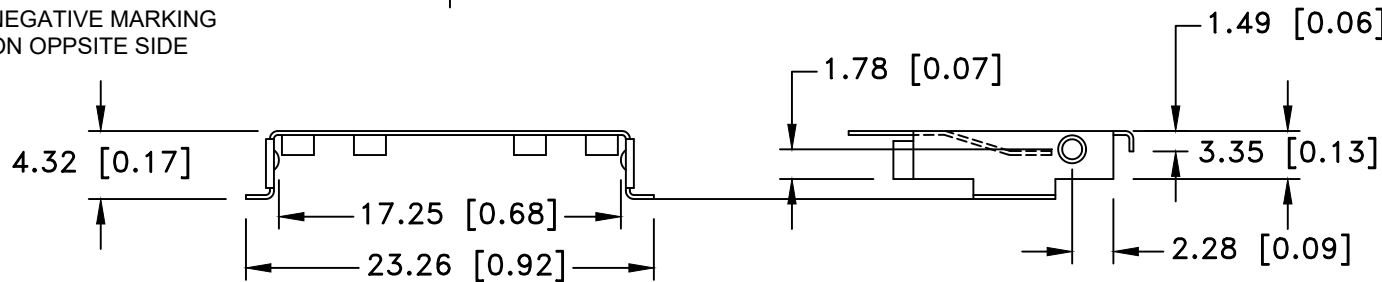




Date	SYM	REVISION RECORD	AUTH	DR.	CK.
11/07/19	A	ADDED WEIGHT OF THE PART	T.B.	B.S.	



NEGATIVE MARKING
ON OPPOSITE SIDE




PCB LAYOUT

SPECIFICATION

- * Contact : Phosphor Bronze C5191, Nickel Plated 80-150u thickness
- * Vibration test: 10-50-10 hz swept in 60 seconds
x,y,z direction: 1 hour each direction
- * Result: no dislodgement of the cell or damage
no discontinuity over 10 micro-seconds
- * Shock test: half sine wave acceleration 150g.
6 milli-seconds 3 shock pulses each direction per axis,
total of 18 pulses
- * Result: no evidence of physical damage
- * Approximate weight: Retainer: 0.90g, Insulator: 0.30g
- * ROHS COMPLIANT

Insulator Tray P/N BRX1-0005

Estimated Weight: 0.88 g

Tolerance (Except as noted)	 Memory Protection Devices, Inc 200 Broad Hollow Road, Farmingdale, New York 11735		
decimal ±.5 (.020)		Scale	Drawn By B.S.
Fractional ± .8 (.030)	Title CR1632 SURFACE MOUNT BATTERY RETAINER		
Angular ± 3°	Date 11/07/19	Drawing Number BRX1-1632-SM	
		Approved By T.B.	