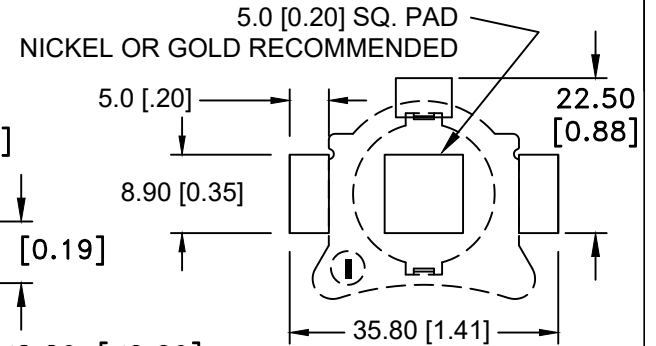
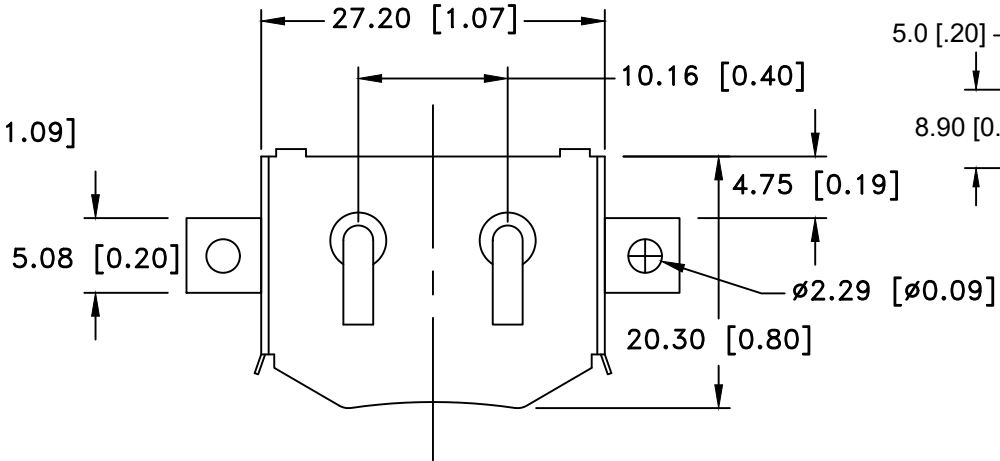
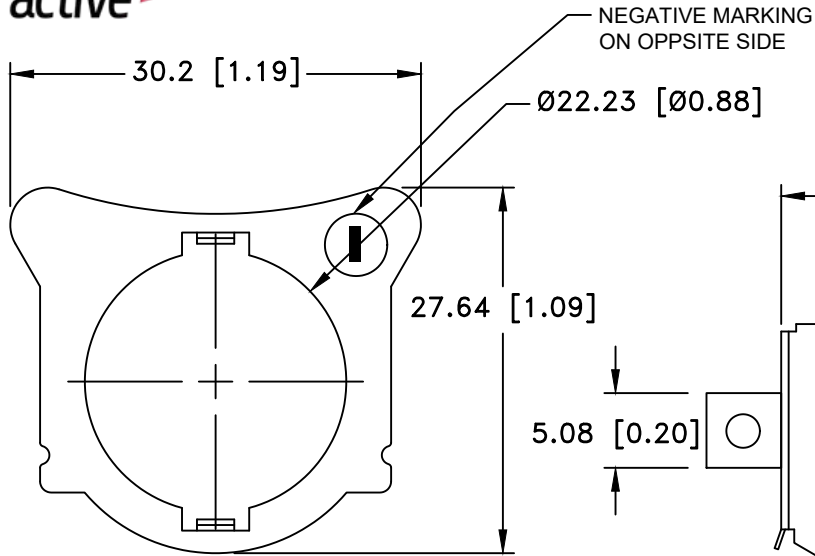


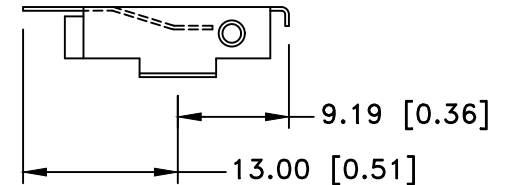
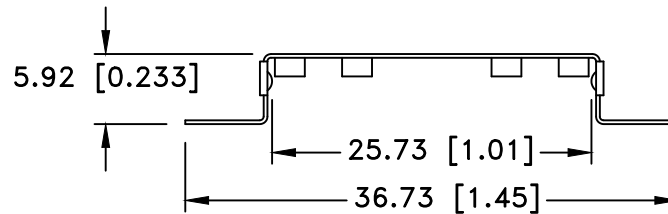
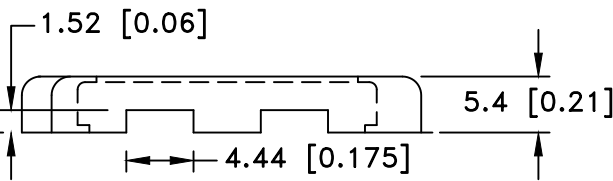


Date	SYM	REVISION RECORD	AUTH	DR.	CK.
12/04/19	H	ADDED WEIGHT OF THE PART	T.B.	B.S.	
10/31/24	J	UPDATED PCB LAYOUT	D.L.	B.S.	



PCB LAYOUT


## INSULATOR



### SPECIFICATIONS:

- \* Holder material- Polypropylene, AV161 PP, Off White
- \* UL Flammability Rating: UL 94-HB File No. E108370
- \* Contacts : Phosphor Bronze C5191, Nickel Plated 80-150u thickness
- \* Vibration test: 10-50-10 hz swept in 60 seconds  
x,y,z direction: 1 hour each direction
- \* Result: no dislodgement of the cell or damage  
no discontinuity over 10 milliseconds
- \* Shock test: half sine wave acceleration 150g.  
6 milliseconds 3 shock pulses each direction per axis,  
total of 18 pulses
- \* Result: no evidence of physical damage
- \* Approximate weight: Retainer: 1.55g, Insulator: 0.50g
- \* ROHS COMPLIANT

Estimated Weight: 2.2 g

Tolerance (Except as noted)	 <b>Memory Protection Devices, Inc</b> 200 Broad Hollow Road, Farmingdale, New York 11735		
	decimal ±.5 (.020)	Scale	Drawn By B.S. Approved By D.L.
Fractional ± .8 (.030)	Title CR2450 SURFACE MOUNT BATTERY RETAINER WITH INSULATOR		
Angular ± 3°	Date 10/31/24	Drawing Number BHX1-2450-SM	