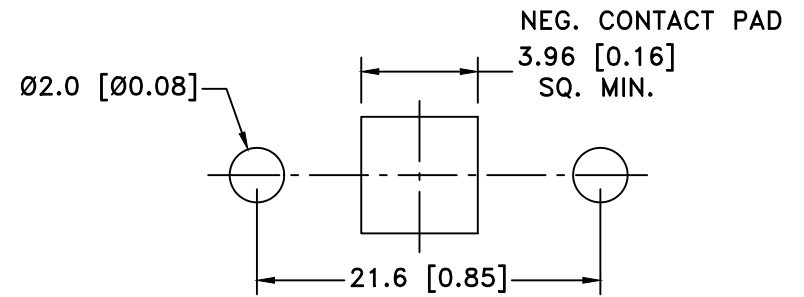
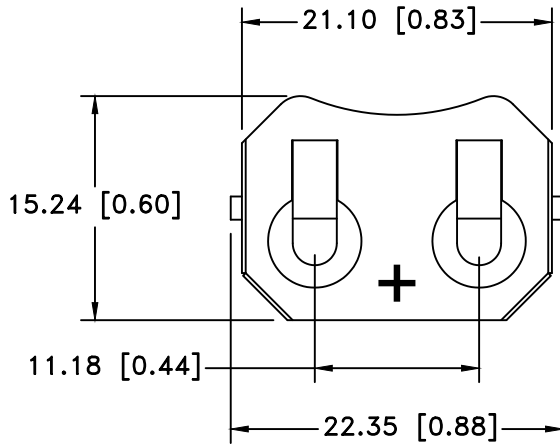
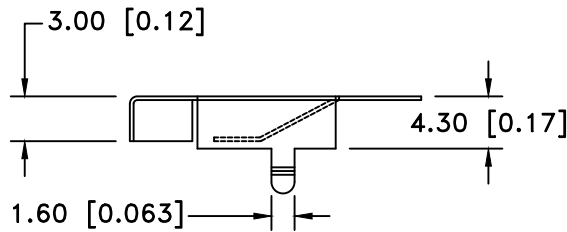
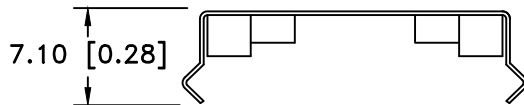




Date	SYM	REVISION RECORD	AUTH	DR.	CK.
10/18/19	B	Added Weight of the part	T.B.	B.S.	
09/24/24	C	Dim. 21.1 was 21.08 Dim. 7.10 was 7.06 Dim. 4.30 was 4.27 Dim. 1.60 was 1.57	D.L.	B.S.	




PCB LAYOUT



Weight: 0.85g

NOTES:

- MATERIAL:
0.25mm PHOSPHOR BRONZE, NICKEL PLATED.
- ROHS COMPLIANT

Tolerance (Except as noted)	 Memory Protection Devices, Inc 200 Broad Hollow Road, Farmingdale, New York 11735		
decimal ±.5 (.020)	Scale	Drawn By B.S.	
Fractional ± .8 (.030)	Title COIN CELL RETAINER FOR 20mm DIA. BATTERIES		
Angular ± 3°	Date 09/24/24	Drawing Number BK-913	

CELL SIZE	RETAINS BATTERY NUMBERS
20mm	BR2032, CR2032