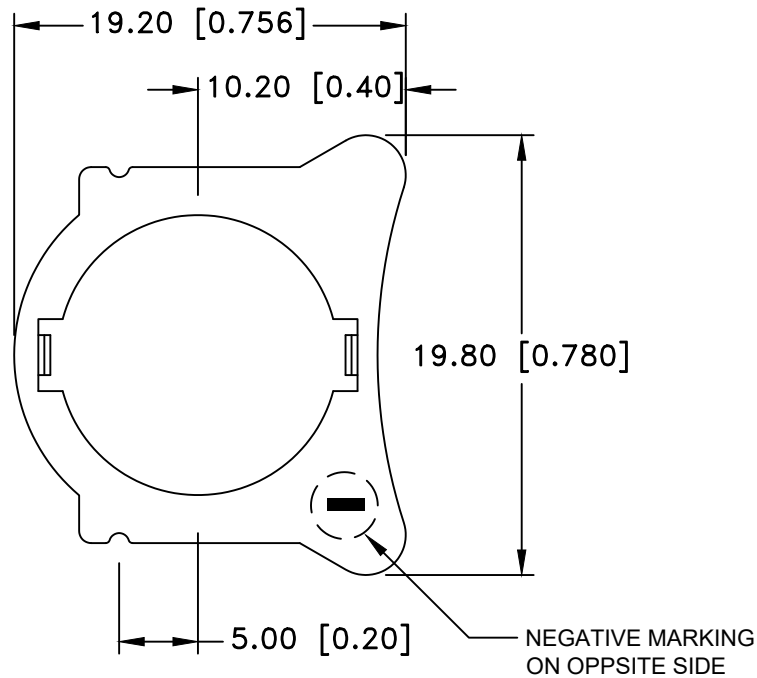
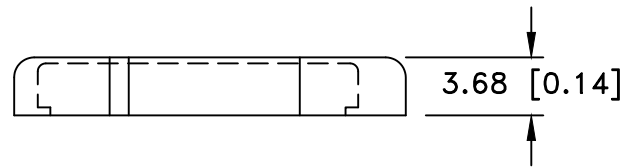




Date	SYM	REVISION RECORD	AUTH	DR.	CK.




INSULATOR



Estimated Weight: 0.40 g

SPECIFICATIONS:

- * Material- Polypropylene, AV161 PP, Off White
- * UL Flammability Rating: UL 94-HB, File No. E108370
- * ROHS 2 COMPLIANT

Tolerance (Except as noted)	 Memory Protection Devices, Inc 200 Broad Hollow Road, Farmingdale, New York 11735		
decimal ±.5 (.020)		Scale	Drawn By B.S.
			Approved By T.B.
Fractional ± .8 (.030)	Title CR1632 BATTERY INSULATOR		
Angular ± 3°	Date 11/27/18	Drawing Number BRX1-0005	