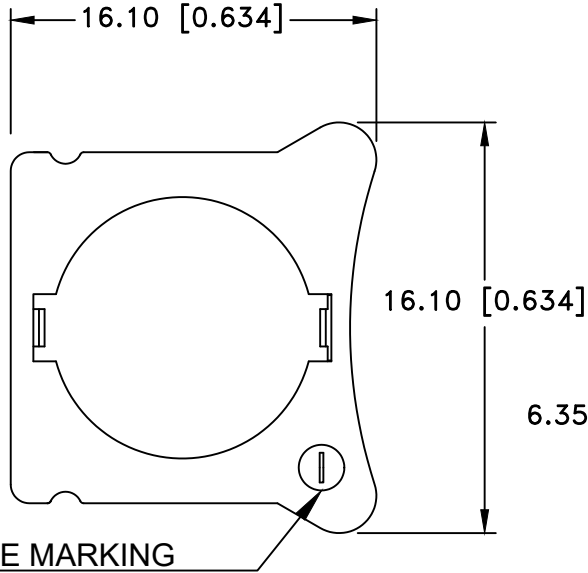
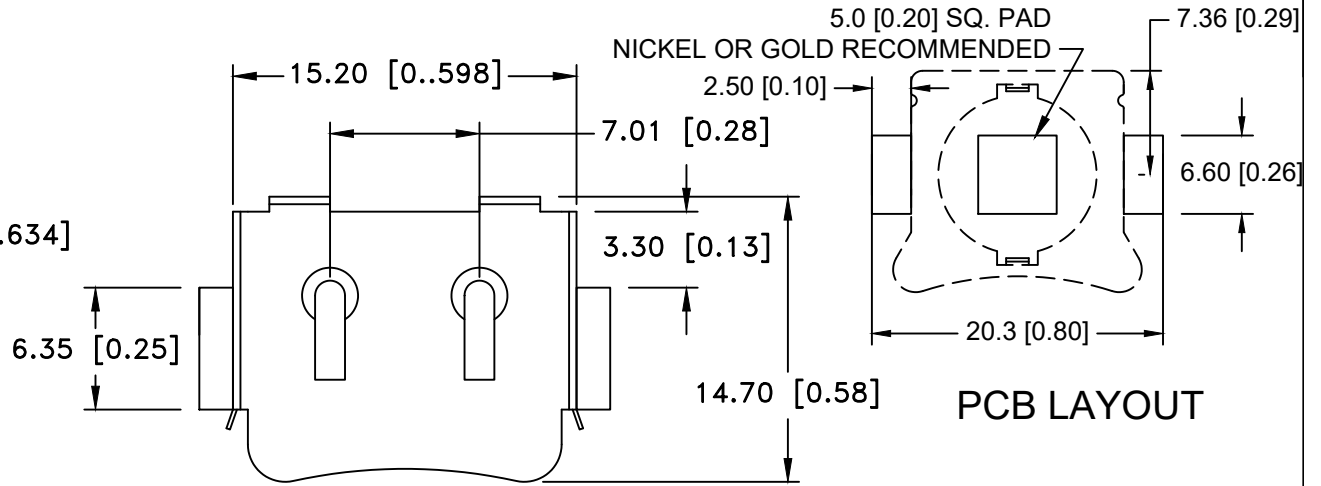




Date	SYM	REVISION RECORD	AUTH	DR.	CK.
12/12/19	H	ADDED WEIGHT OF THE PART	T.B.	B.S.	
08/18/23	J	Dim. 3.5 was 3.55 Dim. 20.3 was 20.81 Dim. 15.33 was 15.19	D.L.	B.S.	
09/14/23	K	Dim. 15.20 was 15.33 Dim. 14.70 was 14.50	D.L.	B.S.	

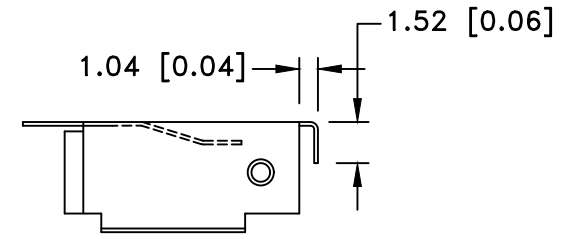
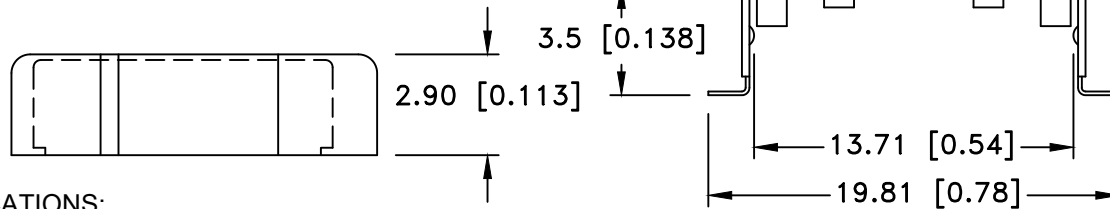


NEGATIVE MARKING
FAR SIDE



PCB LAYOUT

INSULATOR



SPECIFICATIONS:

- * Holder material- Polypropylene, AV161 PP, Off White
- * UL Flammability Rating: UL 94-HB File No. E108370
- * Contacts : Phosphor Bronze C5191, Nickel Plated 80-150u thickness
- * Vibration test: 10-50-10 hz swept in 60 seconds
x,y,z direction: 1 hour each direction
- * Result: no dislodgement of the cell or damage
no discontinuity over 10 milliseconds
- * Shock test: half sine wave acceleration 150g.
6 milliseconds 3 shock pulses each direction per axis,
total of 18 pulses
- * Result: no evidence of physical damage
- * Approximate weight: Retainer: 0.65g, Insulator: 0.18g
- * ROHS COMPLIANT

Estimated Weight: 0.83002 g

Tolerance (Except as noted)	Memory Protection Devices, Inc 200 Broad Hollow Road, Farmingdale, New York 11735		
	decimal ±.5 (.020)	Scale	Drawn By B.S. Approved By D.L.
Fractional ± .8 (.030)	Title CR1225 BATTERY RETAINER WITH INSULATOR		
Angular ± 3°	Date 09/14/23	Drawing Number BHX1-1225-SM	