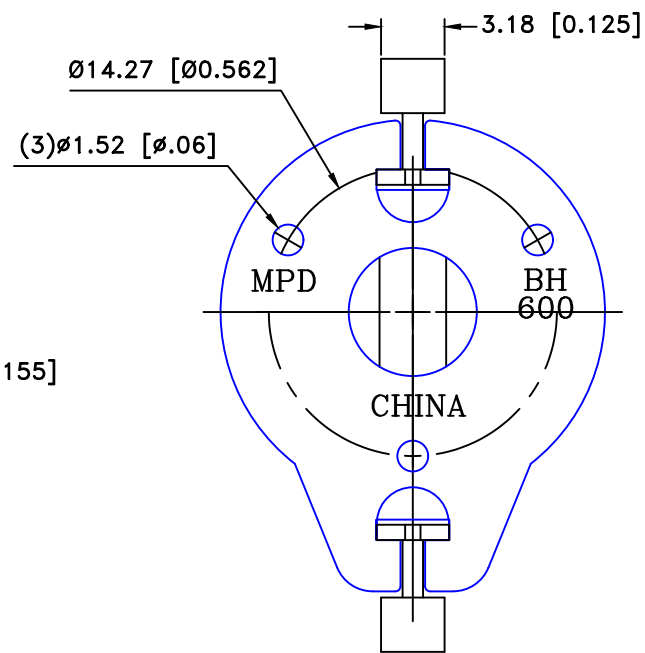
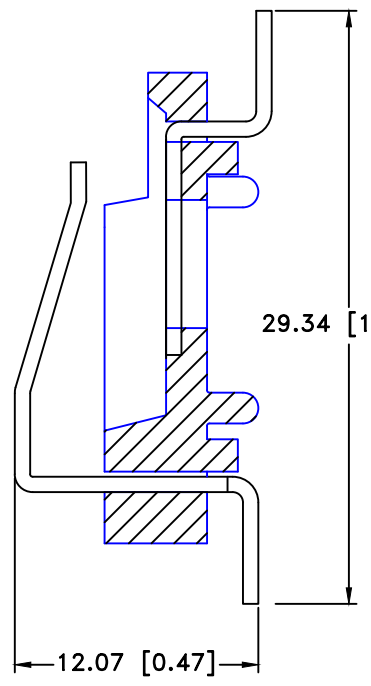
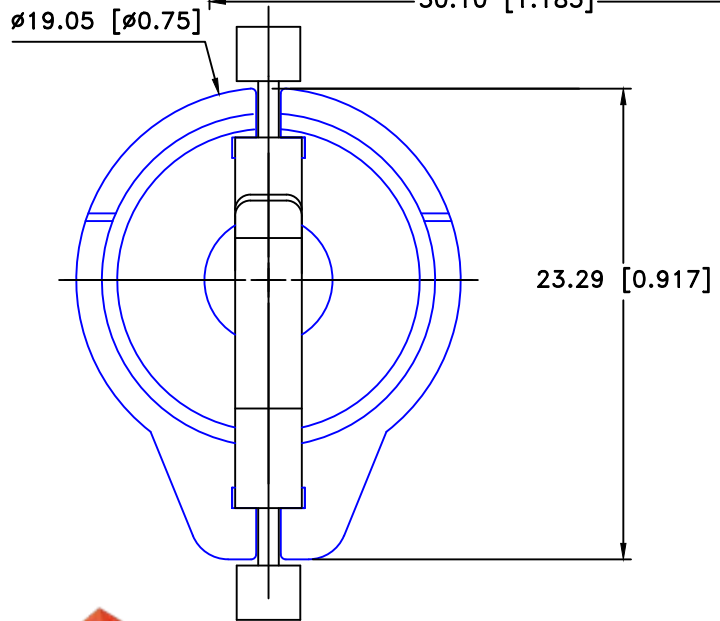
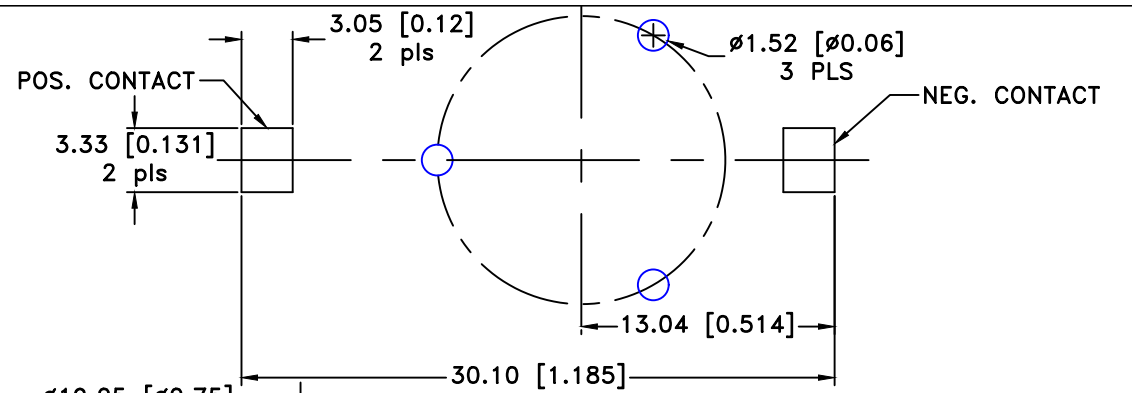



Date	SYM	REVISION RECORD	AUTH	DR.	CK.
8/21/24	D	Dim. 29.34 was 29.39 Dim. 23.29 was 23.33 Dim. 30.10 was 29.39 Dim. 3.33 was 3.55 Dim. 3.05 was 3.18 Dim. 14.27 was 14.28	D.L.	B.S.	



SPECIFICATIONS

- *Holder material—Nylon 46, 30% Glass Filled, GREY
 - *Flammability rating—UL94V-HB, UL File No. E47960
 - *Contacts—304 spring temper stainless steel with Gold Flash Plating overall
 - *Dielectric strength—560volts/mil at 25°C for 5seconds
 - *Temperature range— -40°C to +260°C
 - *Resistance to solvents—Xylene,ethyl,butyl,methyl&proptl alcohol;ethyl acetate,heptane;toluene;refrigerant
- ROHS COMPLIANT

Tolerance (Except as noted)	 Memory protection Devices, Inc 200 Broad Hollow Road, Farmingdale, New York 11735		
decimal ±.5 (.020)	Scale	Drawn By B.S.	
Fractional ± .8 (.030)	Title	16mm DIA. x 5.8mm THICK COIN CELL HOLDER	
Angular ± 3°	Date	Drawing Number	
	08/21/24	BH600SM-5.8-G	
		Approved By D.L.	