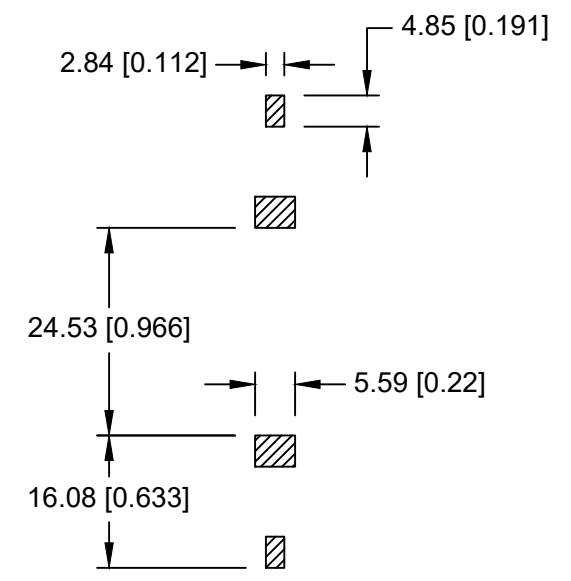
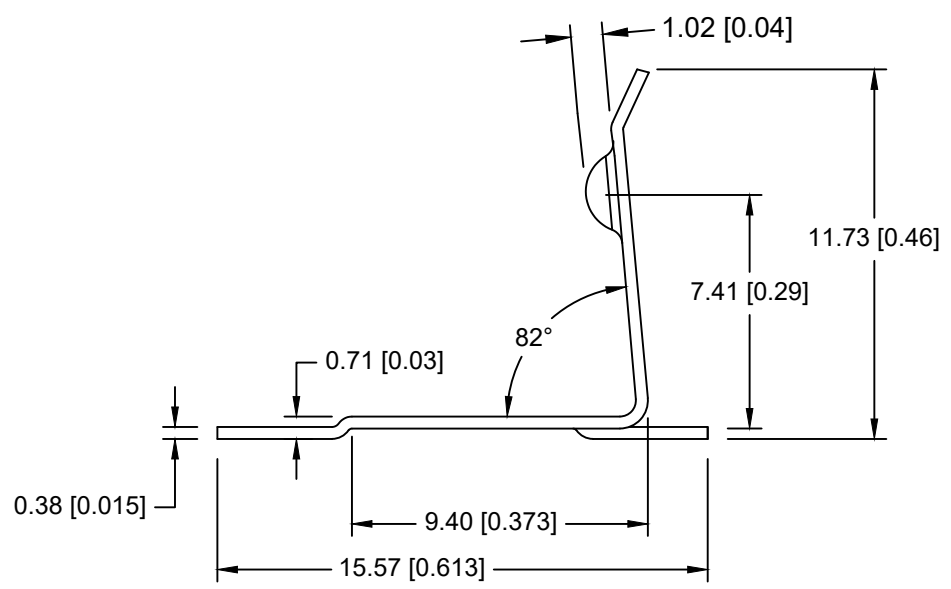
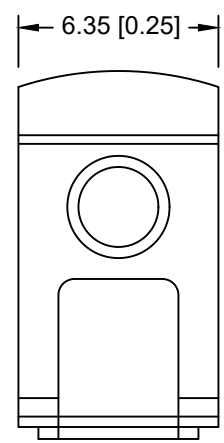
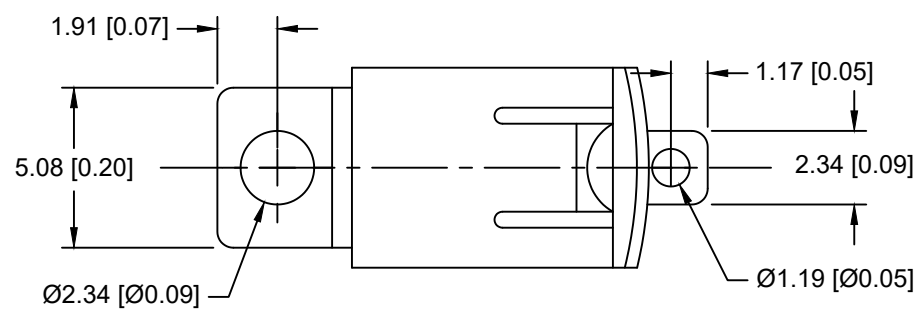





Date	SYM	REVISION RECORD	AUTH	DR.	CK.
06/11/18	A	Added PCB Layout	T.B.	B.S.	



PCB LAYOUT

NOTES:

- 1. MATERIAL:  
0.015" PHOSPHOR BRONZE, NICKEL PLATED  
ROHS 2 COMPLIANT

Tolerance (Except as noted)	 <b>Memory Protection Devices, Inc</b> 200 Broad Hollow Road, Farmingdale, New York 11735		
	decimal ±.5 (.020)	Scale	Drawn By B.S. Approved By T.B.
Fractional ± .8 (.030)	Title SMD BATTERY CONTACT FOR AA BATTERIES		
Angular ± 3°	Date 06/11/18	Drawing Number BK-57	