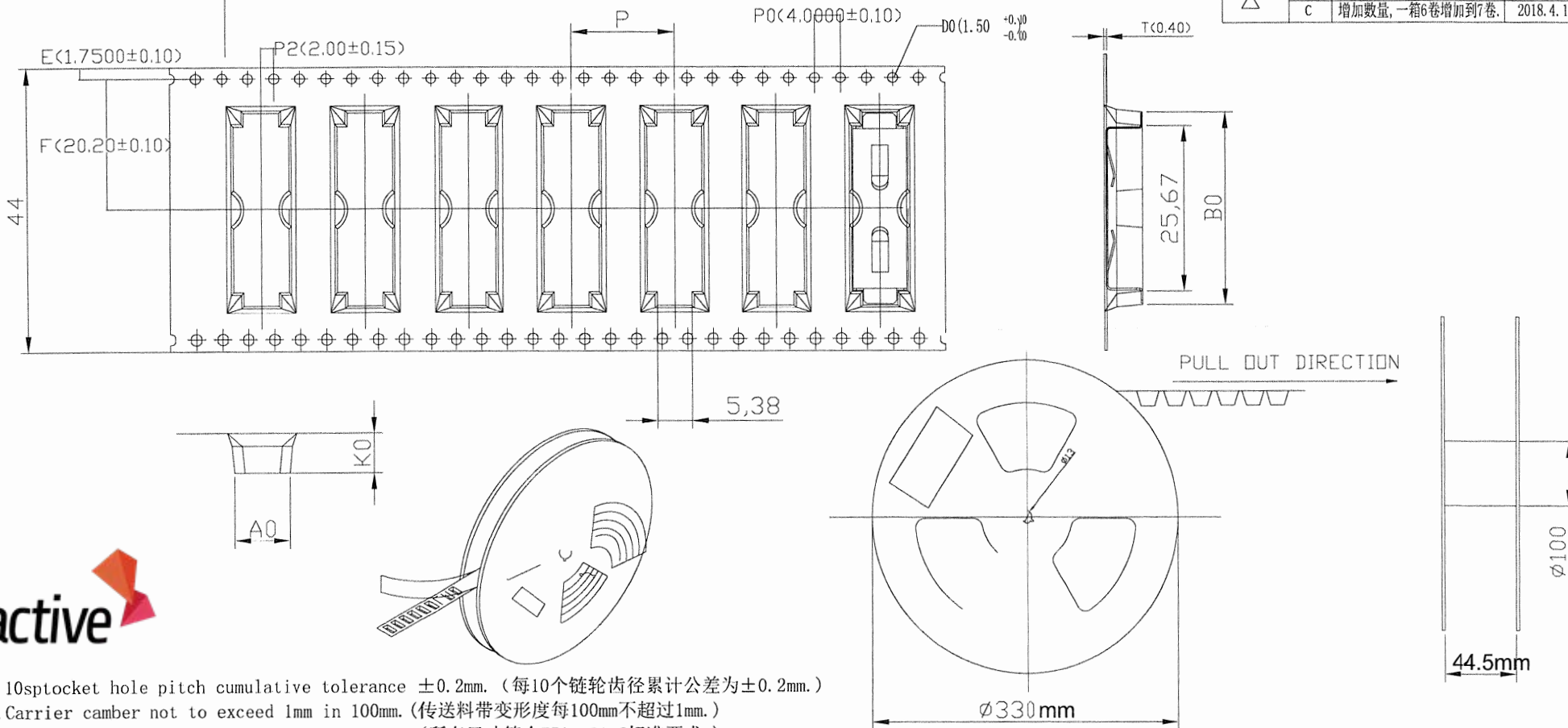


Empty Front Pocket Yeel Length 500~600mm

8051-013_C_Carrier Tape BC-2005-TR

Change Symbol	REV.	CONTENT	DATE
	A	新品开发	2016.5.12
	B		2016.6.23
△	C	增加数量,一箱6卷增加到7卷.	2018.4.19



1. 10spocket hole pitch cumulative tolerance ± 0.2 mm. (每10个链轮齿径累计公差为 ± 0.2 mm.)
2. Carrier camber not to exceed 1mm in 100mm. (传送料带变形度每100mm不超过1mm.)
3. All dimensions meet EIA-481-C requirements. (所有尺寸符合EIA-481-C标准要求.)
4. Material: PS Black polystyrene. (材料: 透明材质.)
5. Thickness: 0.35 ± 0.05 mm. (厚度: 0.35 ± 0.05 mm)
6. Packing length per 13" reel: 16.60Meters. (每13"卷轴包装长度为11.20M.)
7. Component per 13" reel: 700pcs. (每13"卷轴可装700pcs零件.)
8. This product conforms to the ROHS environmental protection (该产品符合ROHS环保标准)
9. Carton size: $35 \times 35 \times 6.15$ 6reel. (纸箱尺寸 $35 \times 35 \times 6.15$ 6卷/箱)

ITEM	W	A ₀	B ₀	K ₀	P	F	E	D ₀	D ₁	P ₀	P ₂	T
DIM	44.00 ^{+0.30} _{-0.30}	8.56 ^{+0.10} _{-0.10}	29.86 ^{+0.10} _{-0.10}	6.15 ^{+0.10} _{-0.10}	16.00 ^{+0.10} _{-0.10}	20.20 ^{+0.10} _{-0.10}	1.75 ^{+0.10} _{-0.10}	1.50 ^{+0.10} _{-0.00}	2.00 ^{+0.10} _{-0.00}	4.00 ^{+0.10} _{-0.10}	2.00 ^{+0.15} _{-0.15}	0.40 ^{+0.05} _{-0.05}
ALTERNATB												

MPD MEMORY PROTECTION DEVICES, INC. Certified ISO9001:2015		Visit our Website for a complete list of our products. www.batteryholders.com www.memoryprotectiondevices.com We specialize in custom parts! sales@memoryprotectiondevices.com	
Title	BC-2005-TR		
Customs		APPROVED	
Date	2018.4.19		
Unit	mm	AUDITED	
Scale	1:1		
Rev No.	A/0	DESIGNED	LIMC
File No.	BC-2005-TR		